

NextGen In-Building Wireless Solution

THE SMART SOLUTION FOR TODAY'S NETWORK

Tecore's sDAS (Smart Distributed Antenna Systems) solution is the next evolution of DAS that leverages a cost-effective and compact solution to provide excellent in-building coverage.

This technology incorporates the mRU (Multi-RAT Radio Unit) radio, a high-powered multiband radio supporting All-Gs simultaneously on a single radio and the mDU (Multi-RAT Digital Unit) that is a multi-carrier digital baseband signal processing unit.

Designed to operate within a multi-carrier framework, Tecore's sDAS solution provides wireless coverage for any carrier equipment on a single radio greatly reducing footprint, CAPEX and OPEX.

Supported Bands

- B71, B13/14, B17/12, B5/26
- B2/25, B4/10/66, B30, B41



sDAS BENEFITS



Flexible: Combines IDAS and ODAS in one radio type



Multi-Frequency: A digital baseband signal up to 100 MHz is distributed across 7 bands and carriers, with extra capacity for analog signals through the mPOI.



Multi-Carrier: Shared radio across multi-PLMN broadcast (Per Carrier, Per Cell)



Future-Proof: Support legacy & next-gen radio source interface simultaneously (mPOI & SI)



Simplified Architecture: Only one component type in the head-end (mDU)



Cost-Effective: Up to 90% reduction in head-end equipment from traditional DAS reducing CAPEX & OPEX

Smart DAS - sDAS

THE FUTURE OF DAS

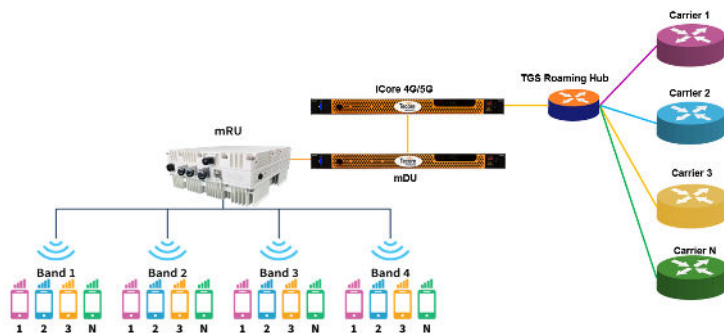
THE OPPORTUNITY

As the number of connected devices continues to grow, buildings, stadium, and venue owners/managers are using DAS to deliver seamless, reliable in-building multi-carrier cellular coverage for their tenants.

Current DAS

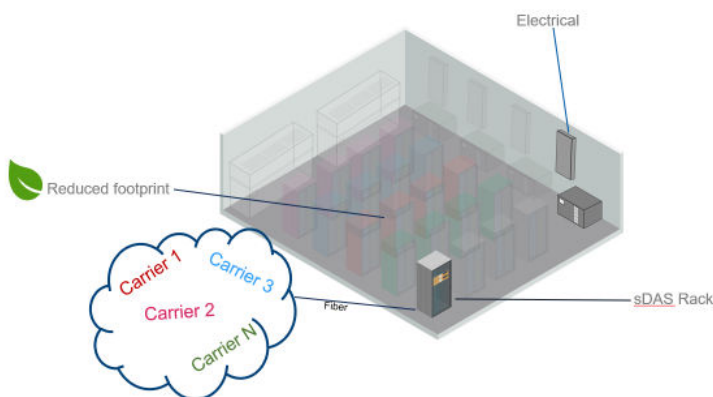
To provide reliable coverage and capacity inside buildings and venues, current vendors employ a legacy model to implement DAS technology. It consists of a large head-end room, vast electrical and HVAC requirements, complex installation and commissioning consisting of a massive rackspace footprint which would include extensive coax/fiber wiring.

NextGen sDAS

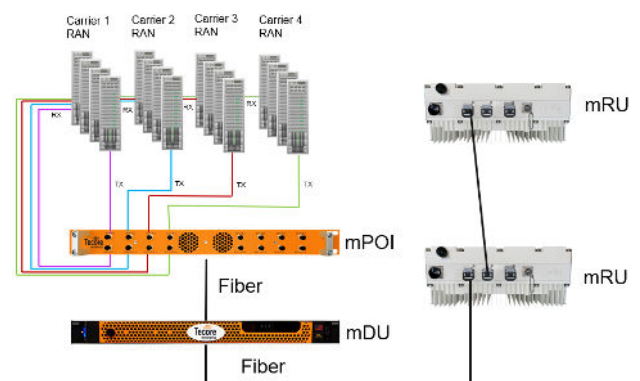


mDU: Digitally combines signals from multiple carriers in multiple bands

mRU: Broadcast each carrier's signal independently in each band simultaneously



Bridge to sDAS from Current DAS



- mPOI: Multi-RAT Point of Interface
- Combines up to 4 analog signals per band
- Small form factor
- Creates a bridge from the current DAS to the new sDAS platform

sDAS Advantage

- Small Head End room size - only half rack
- No additional HVAC/electrical required
- Daisy chain capability of the mRU
- Simplified Installation/Commissioning utilizing one type of head end equipment
- Significant REDUCTION in CAPEX and OPEX
- GREEN solution drastically reduces carbon footprint

