

Multi-RAT Digital Unit (mDU)

The mDU is a carrier-grade multi-frequency, multi-technology, multi-operator digital baseband unit of our sDAS solution allowing MNO's and venue owners to deploy a cost-effective and flexible wireless solution. The mDU is the only headend component needed in the sDAS solution and each mDU connects to an mRU radio type (LB or MB). This simplistic architecture greatly reduces the footprint, power consumption, cooling, and maintenance required in the head-end room for a wireless solution.

The single hardware architecture has been designed to allow service providers, integrators, building owners, and smart cities to rapidly deploy networks supporting carrier environments including multi-dwelling units, commercial buildings, industrial buildings, and neutral host small cells.



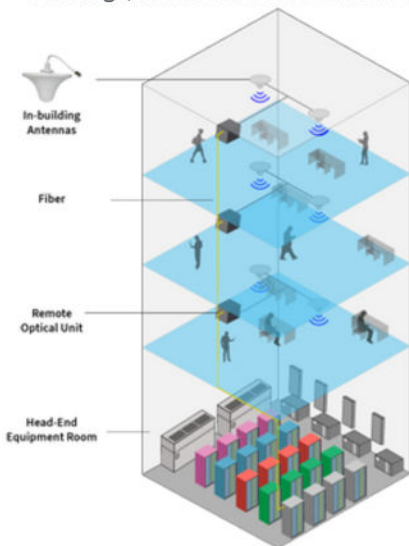
mRU Capabilities

Key Features

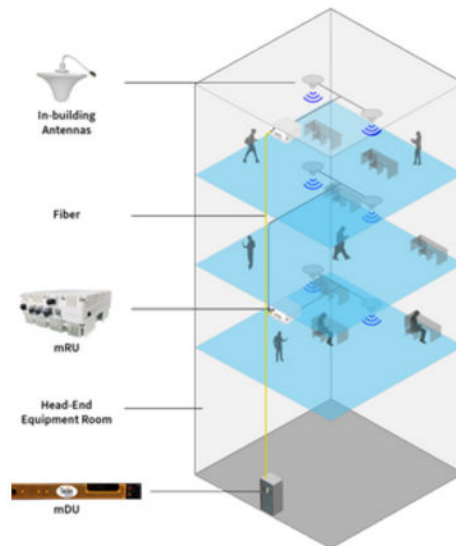
- Multi-Band
- Multi-RAT (2G, 3G, 4G, 5G)
- Multi-Carrier Support
- Multi-PLMN Support

Key Benefits

- Up to 90% reduction on Headend TCO
- Simplified installation
 - Only component in the Headend
- Small factor form (2RU)
- Low power consumption
- Low cooling requirement

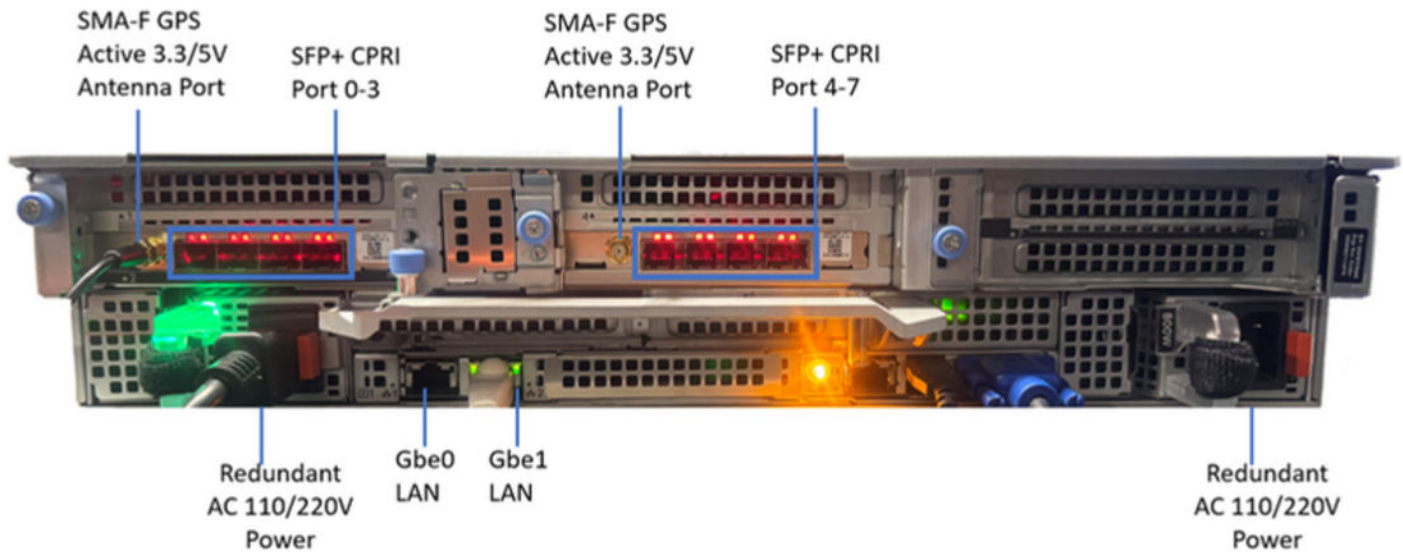


Traditional DAS Headend



sDAS Headend

mDU Specifications



Hardware	
Power Consumption	800W max per power supply
Power Type	100 - 240 VAC or 240 HVDC
Synchronization	GPS (SMA female)
Installation	Rack Mounted
Weight	43.5lbs / 19.73kg
Dimensions	3.41" H x 18.97" W x 30.39" D 86.61 x 481.838 x 771.906 mm
Riser Configuration	8, 1 x 16FH + 2 x 8 LP
Ethernet Controller	Dual Gigabit Ethernet Controllers
Power	Hot Plug, Redundant (1+1)
Bands Supported	All Licensed Sub-6GHz
Technologies Supported	2G/3G/4G/5G
Multi-PLMN Support	Yes
Multi-Carrier Support	Yes

Environmental	
Operating Temp	10 to +45°C
Storage Temp	-40 to +65°C
Operating Humidity	20% to 90% RH (non-condensing)
Storage Humidity	10% to 95% RH
Heat Dissipation	3000 BTU/hr

Ordering Options	
mDU	900-12316-002
mDU BBU License	900-12316-500

To learn more about our technology, products, and services, call us at **+1.410.872.6500** or visit us at www.Tecore.com © Tecore Inc.